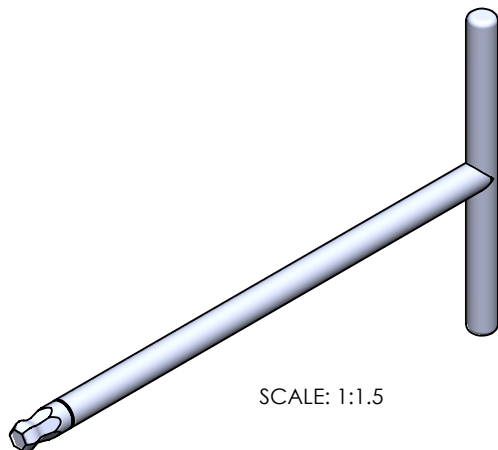


DETAIL A
SCALE 2 : 1



SCALE: 1:1.5

UNLESS OTHERWISE SPECIFIED: DIMENSIONS ARE IN INCHES			TOLERANCES: X.XX= ±0.13 X.XXX= ±0.015 X.XXXX= -0.002		
DRAWN	NAME	SIGN	DATE		
APP'VD	A.T.		05.08.19		TITLE: 5.5MM BALL WELDED 'T' HANDLE HEX KEY
MATERIAL: SHAFT: 465 MAGNETIC S.S. HANDLE: 316 NON-MAGNETIC S.S.					PART NO. 72709
<i>THIS DRAWING IS THE PROPERTY OF STERITOOL, INC. ANY REPRODUCTIONS OR MODIFICATIONS OF THIS DRAWING OR ITS CONTENTS WITHOUT THE CONSENT OF STERITOOL, INC. IS PROHIBITED.</i>					REV: A
			SCALE: 1:1	SHEET 1 OF 1	